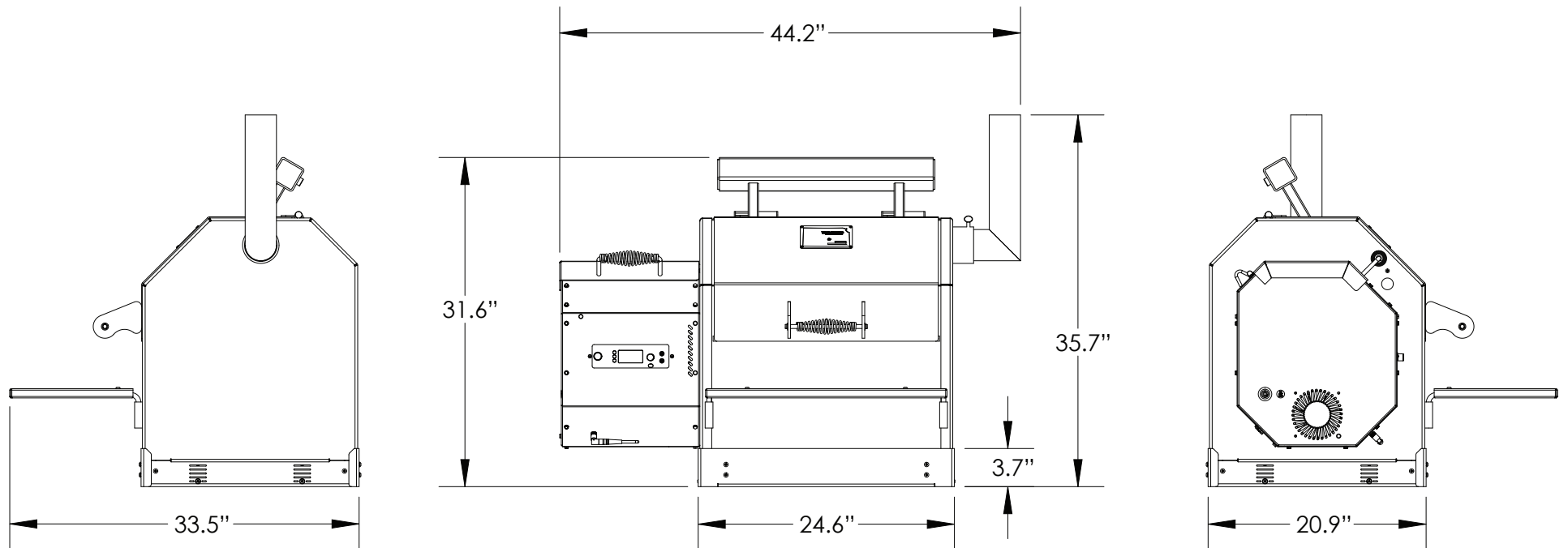


YS480S BUILT-IN PELLET COOKER

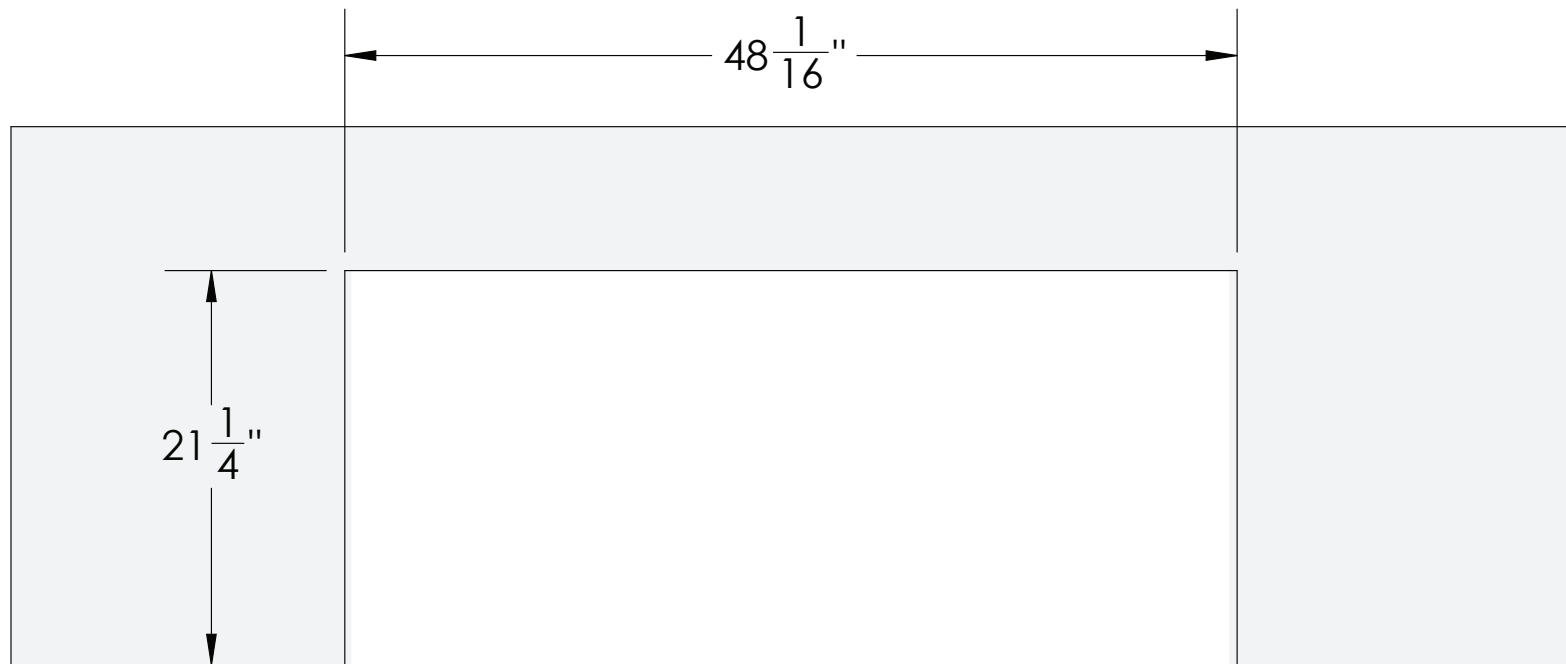
NOTCH MOUNT INSTALLATION

Overall Height: **35.7 in.** Overall Depth: **33.5 in.** Overall Length: **44.2 in.** Total Weight: **291 lbs.**



YS480S BUILT-IN PELLET COOKER

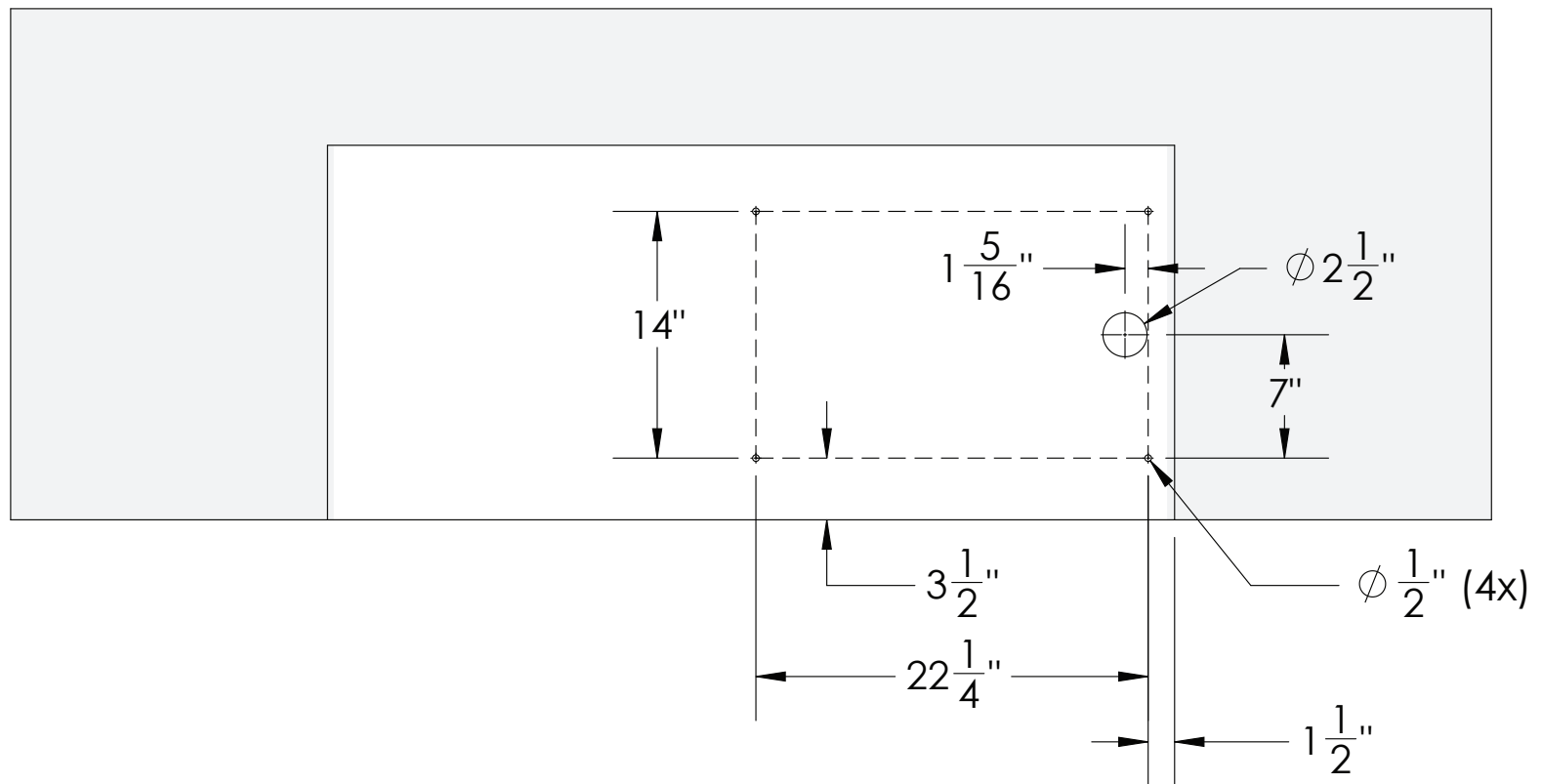
NOTCH MOUNT CUTOUT DIMENSIONS



NOTE: STRUCTURE MUST BE ABLE TO SUPPORT AT LEAST 350 LBS

YS480S BUILT-IN PELLET COOKER

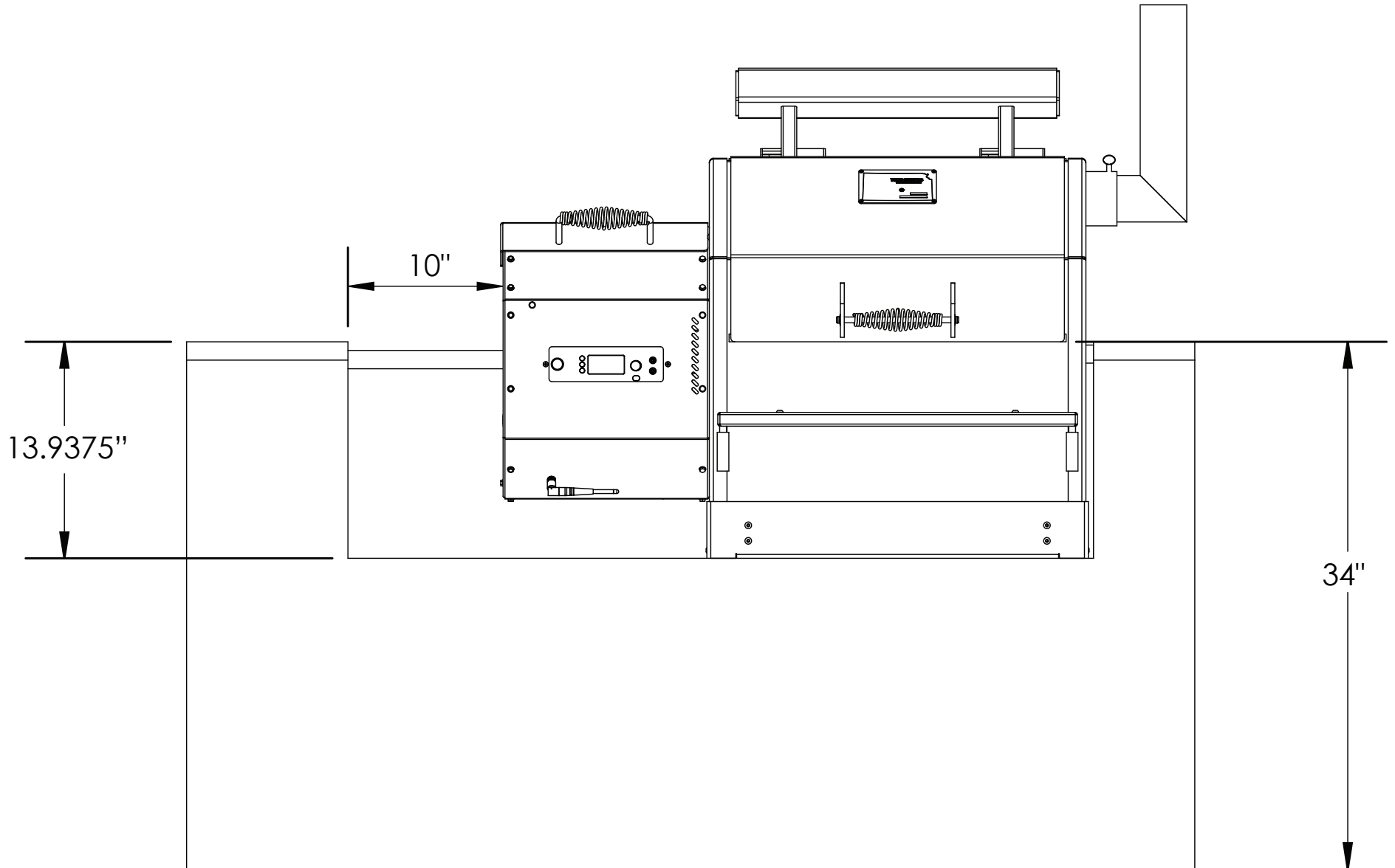
NOTCH MOUNT HOLE PATTERN



NOTE: STRUCTURE MUST BE ABLE TO SUPPORT AT LEAST 350 LBS

YS480S BUILT-IN PELLET COOKER

NOTCH MOUNT INSTALL REFERENCE



YS480S BUILT-IN PELLET COOKER

RECOMMENDED CLEARANCES

