

# Y5480/Y5640 BUILT-IN VALANCE ASSEMBLY

## BEFORE YOU GET STARTED

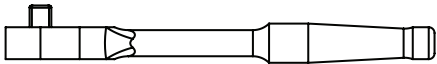


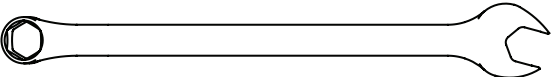
Begin by confirming all the parts included in this kit are accounted for in this kit. *Should any items be missing, please contact Customer Service for assistance at 877.409.6337 or [customerservice@yodersmokers.com](mailto:customerservice@yodersmokers.com).*

### PARTS INCLUDED

( 2 ) Valance Face Panels   ( 2 ) Valance Side Panels   ( 4 ) 1/4" Nuts   ( 16 ) 1/4" Screws

## TOOLS YOU'LL NEED

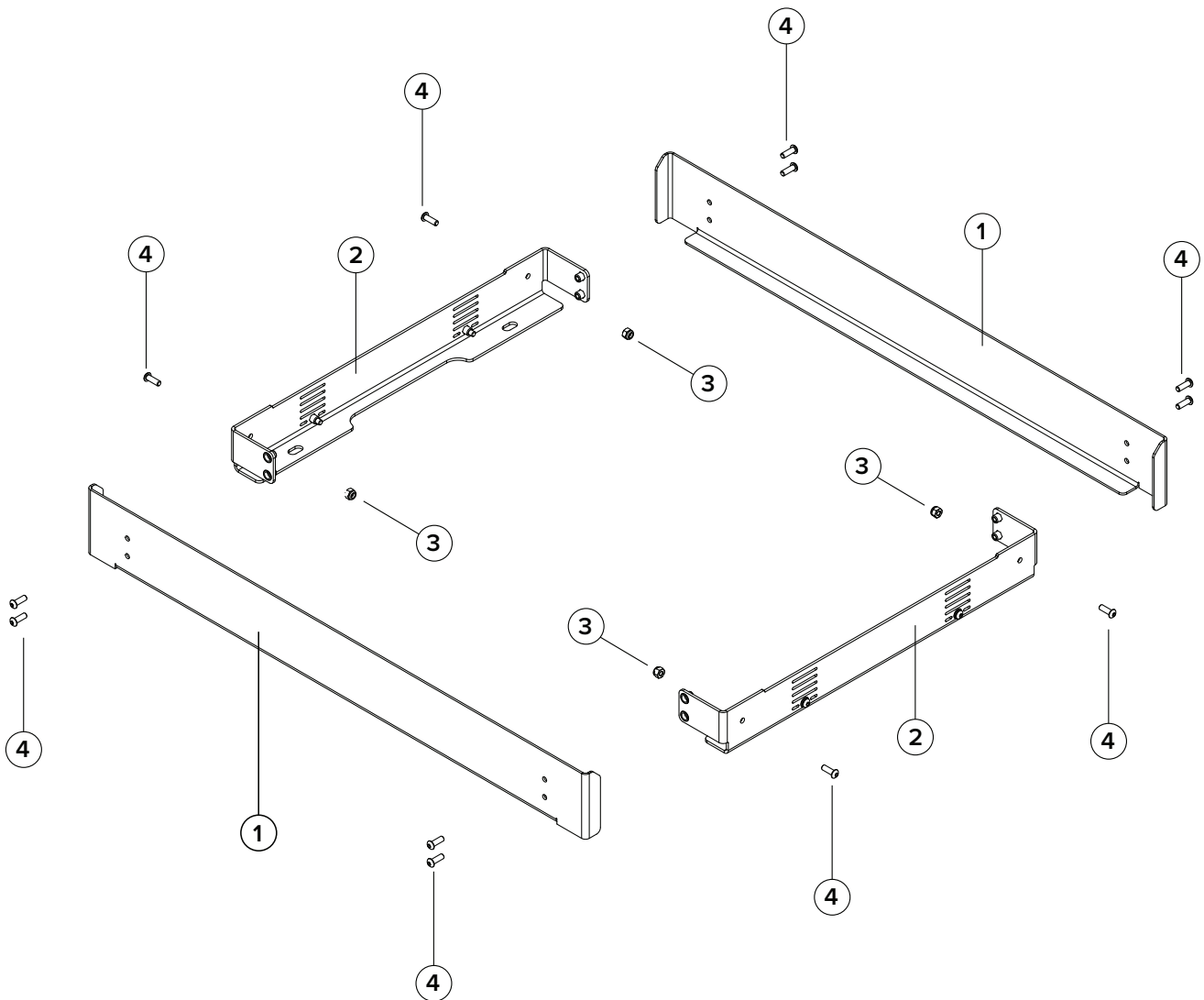
7/16" Socket Wrench | 7/16" Socket | 7/16" Wrench | 5/32" Hex Key

SOCKET WRENCH	
7/16" SOCKET	
5/32" HEX KEY	
7/16" WRENCH	

# ASSEMBLING THE VALANCE FOR INSTALLATION

## STEP 01

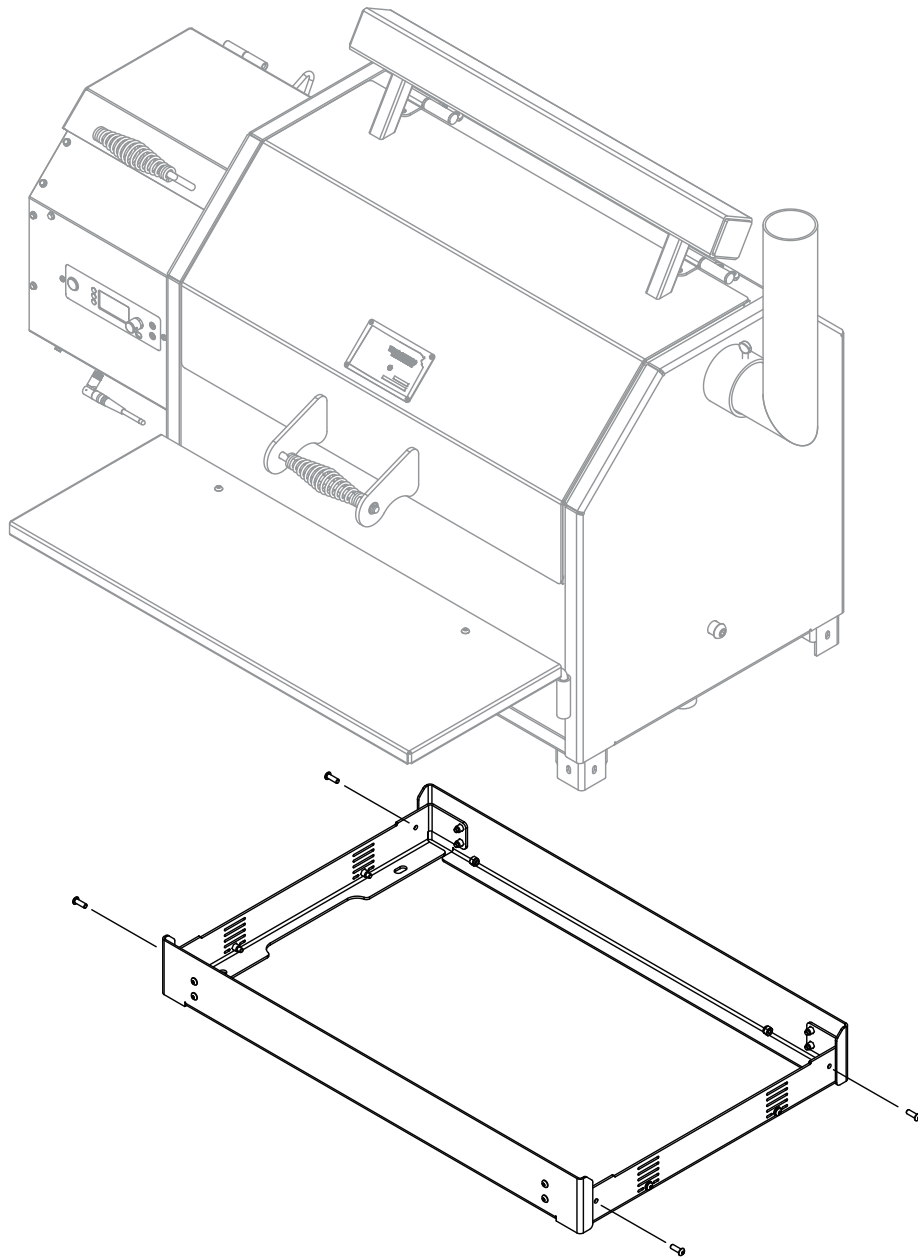
Attach the front panel (labeled 1) to side panel (labeled 2) using four screws provided, then repeat with the back panel and remaining side panel.



# ATTACHING THE VALANCE TO THE COOKER

## STEP 02

*Install the assembled valance onto the cooker using the provided screws and nuts by attaching to the leg posts of the cooker as shown below.*



**THIS COMPLETES  
THE HARDWARE INSTALL**



**FOR PRODUCT SUPPORT:**  
**CustomerService@YoderSmokers.com**  
**877.409.6337 (OPTION 2)**